

# Quick Assembly Guide

## BESV JS1



# Contents

1.	What's in the Box .....	2
1.1	Main Box Contents .....	2
1.2	Accessory Box Contents .....	3
2.	Assembly Procedures .....	4
2.1	Front Wheel.....	4
2.2	Front Fender and Reflector .....	7
2.3	Pedal .....	9
2.4	Battery .....	10
2.5	Saddle & Seat Post.....	11
2.6	Rear Light .....	11
3	Checklist .....	14

## What's in the Box

### 1.1 Main Box Contents

1. Main Bike Assembly
2. Accessory Box
3. Saddle/Seat Post Set
4. Front Wheel
5. Front Fender



## 1.2 Accessory Box Contents

1. Product Documentation
2. Charger
3. Pedals
4. Rear Light & Reflector
5. Quick Release (QR) for the Front Wheel
6. Key
7. Front reflector
8. Screw sets for Reflector and Front Fender
9. Front Fender
10. Screws fix for Front Fender on Front Fork



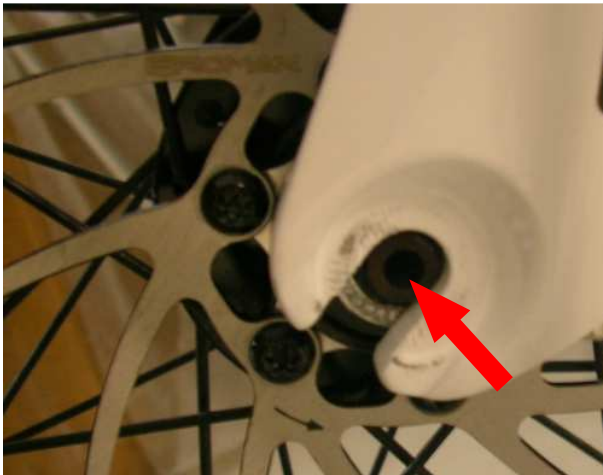
## Assembly Procedures

### 2.1 Front Wheel

2.1.1 Unpack the front wheel and the main bike assembly.



2.1.2 Insert the wheel into the fork end.



Attention: The disk should be placed between the brake pads.

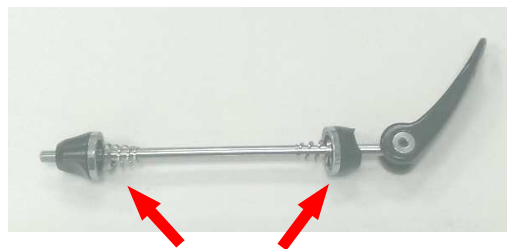
Use the inner knob fine tuning.



### 2.1.3 Set the quick release (QR)

Unscrew the nut and spring from the QR and insert the QR stem from the left side of the bike.

Attention: The quick release handle should be on the left side of bike.



### 2.1.4 Tighten the nut

Place the spring back in the QR stem and tighten the nut until you encounter resistance. Then loosen 1/4 turn.

Note: The tapered end of the spring should be facing inward.



### 2.1.5 Tighten the nut

Lock the QR by pushing the handle upwards until parallel with fork. Turn the wheel and verify the rotation is smooth





## 2.2 Front Fender and Reflector

*Place the fix plate at the bottom of the front fork and loosely secure with the 2-M5 screws.*

- 2.2.1 Place 2-M5 screws go through front fender support and insert Front Fork M5 screw holes fixed.



- 2.2.2 Place the front reflector at the top of the fork where the fender meets the fork, then loosely secure with the fender screw.





2.2.3 Adjust the fender to top position, and then tighten the screws at the reflector and at the fix plate.

Suggest Front Tire pressure is 60psi.



Note: When securing the reflector to the fork, make sure the placement order is fork, fender and then reflector.

## 2.3 Pedal

### 2.3.1 Take out the pedal.



### 2.3.2 Set up the right pedal

Note: There is a mark "R" on one of the pedal. Assemble it onto the right crank clockwise.



### 2.3.3 Set up the left pedal

Take another pedal and assemble it to the left crank counterclockwise.



## 2.4 Battery

2.4.1 Insert the key and turn it to the "OPEN" position.



2.4.2 Slide the battery in and push it until it firmly connects to the socket.



2.4.3 Close the battery cover. Push the key in and turn it to "OFF" position to lock the battery cover in place. While turn to "ON" (red test), the HMI monitor will appearance function.



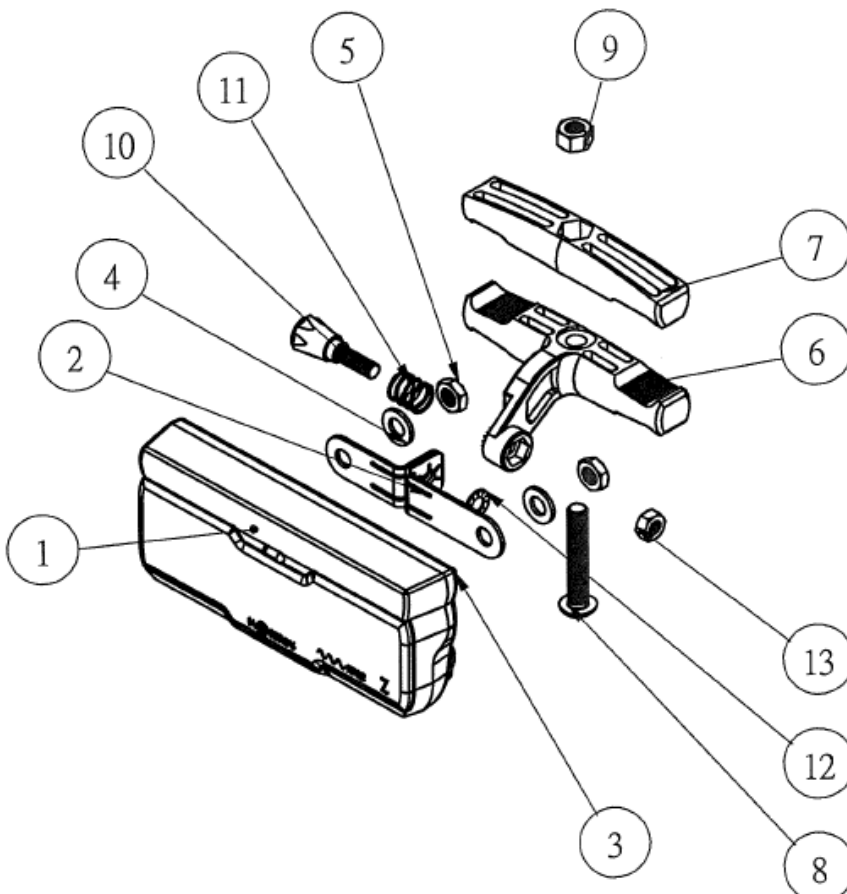
## 2.5 Saddle & Seat Post

2.5.1 Screw released the seat post clamp and adjust the height. Lock the seat post clamp.



Attention: Please don't let cable go inside seat post.

## 2.6 Rear Light



1. Rear Light
2. Bracket
3. M5 Screw
4. M5 Spring Washer
5. M5 Nut x2 (Thin)
6. Base Support
7. Top Clip
8. M5 x 35 Screw
9. M5 Nut (Thick)
10. M4 Screw with Plastic Knob
11. Spring
12. Gear Washer
13. M4 Nut

### 2.6.1 Bracket.

Put the 2-M5 nut fix bracket and rear light.



### 2.6.2 Combine Support and Rear Light housing by gear washer/spring/M4 screw.



2.6.3 Combine Clip and Rear right by M6 screw.



2.6.4 Upper and lower clip fixed on seat bow by M5 screw.



2.6.5 The Rear Light cable should around the clip above and go connecting terminals.



**Attention: The cable surface has white lines,  
Please put into Rear Light negative “-“terminal(left side).**

### 3 Checklist

- 3.1 Check the tire pressure is normal.
- 3.2 Check the function of the brakes, derailleur, and chain.
- 3.3 Check the function of the electric module and the battery power. Please refer to JS1 user manual.

